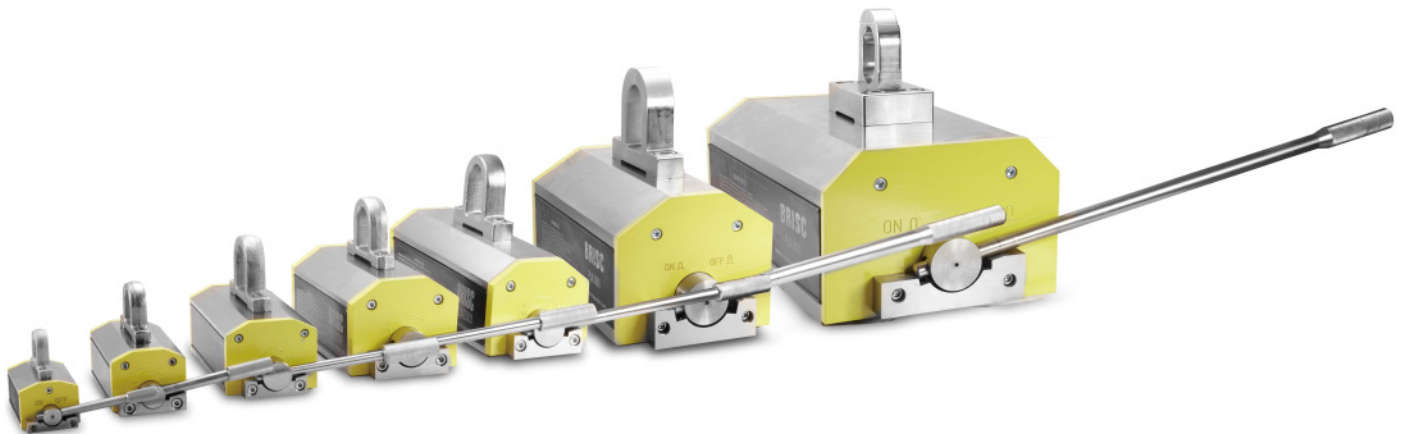


LIMITED TIME
PROMOTION

PERMANENT LIFTING MAGNETS



THE ULTIMATE GENERATION

The most practical, safe and economical way to handle ferrous loads.

Hundreds of thousands of units are already in use all over the world confirming the great value of magnetic lifters each and everyday in many industrial sectors such as:

- Tool and die shops
- Machinery Builders
- Steel fabrication shops
- Steel distribution centers
- Shipyards and Ports
- Foundries and Steel mills
- Construction
- Warehousing and transportation

Model	Size	Load Plate Max	Plate Min Thickness
PLM	100	100 kg/220 lb	15 (0.59)
PLM	300	300 kg/660 lb	20 (0.79)
PLM	600	600 kg/1320 lb	25 (0.98)
PLM	1000	1000 kg/2200 lb	40 (1.57)
PLM	2000	2000 kg/4400 lb	55 (2.17)
PLM	3000	3000 kg/6600 lb	70 (2.76)
PLM	5000	5000 kg/11000 lb	85 (3.35)

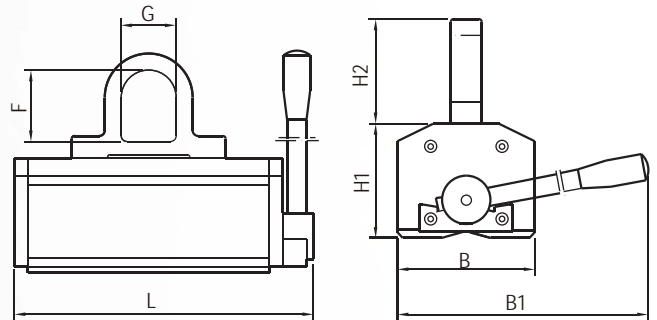
PERMANENT LIFTING MAGNETS

Use:

For lifting ferromagnetic material

Features:

- high power to weight ratio
- compact and light
- at least 3 safety factor
- suitable for flat and round material
- maintenance free design
- safety device prevent accidental deactivation
- can be switched off by one hand only



All magnetic performances are directly related to the actual size and shape of the part to be held. In addition, air gaps, temperature, metallurgical composition and thickness of the load all play key roles in the performance of a specific magnet.

Model	Size	Safe Working Load	Width	Length	H1	H2	B1	F	G	Net Weight
PLM	100	100 kg/220 lb	70 (2.76)	130 (5.12)	60 (2.36)	53 (2.09)	176 (6.93)	35 (1.38)	28 (1.10)	3.5 kg/8 lb
PLM	300	300 kg/660 lb	95 (3.74)	205 (8.07)	83 (3.27)	70 (2.76)	220 (8.66)	47 (1.85)	40 (1.57)	10 kg/22 lb
PLM	600	600 kg/1320 lb	125 (4.92)	272 (10.71)	104 (4.09)	95 (3.74)	296 (11.65)	64 (2.52)	50 (1.97)	23 kg/51 lb
PLM	1000	1000 kg/2200 lb	160 (6.30)	318 (12.52)	140 (5.51)	95 (3.74)	410 (16.14)	64 (2.52)	50 (1.97)	44 kg/97 lb
PLM	2000	2000 kg/4400 lb	160 (6.30)	496 (19.53)	140 (5.51)	120 (4.72)	508 (20.00)	80 (3.15)	60 (2.36)	72 kg/158 lb
PLM	3000	3000 kg/6600 lb	230 (9.06)	510 (20.08)	212 (8.35)	155 (6.10)	600 (23.62)	100 (3.94)	70 (2.76)	160 kg/352 lb
PLM	5000	5000 kg/11000 lb	360 (14.17)	725 (28.54)	261 (10.28)	180 (7.09)	980 (38.58)	100 (3.94)	70 (2.76)	450 kg/990 lb

Unit: mm(in)

Model	Size	Load Plate Max	Plate Min Thickness	Plate Max Length	Load Round Max	Round Min Thickness	Round Max Diameter
PLM	100	100 kg/220 lb	15 (0.59)	1000 (39.37)	40 kg/88 lb	8 (0.31)	150 (5.9)
PLM	300	300 kg/660 lb	20 (0.79)	1500 (59.06)	120 kg/264 lb	12 (0.47)	180 (7.09)
PLM	600	600 kg/1320 lb	25 (0.98)	2000 (78.74)	240 kg/528 lb	20 (0.79)	250 (9.84)
PLM	1000	1000 kg/2200 lb	40 (1.57)	3000 (118.11)	400 kg/880 lb	25 (0.98)	280 (11.02)
PLM	2000	2000 kg/4400 lb	55 (2.17)	3000 (118.11)	800 kg/1760 lb	35 (1.38)	350 (13.78)
PLM	3000	3000 kg/6600 lb	70 (2.76)	3500 (137.8)	1200 kg/2640 lb	45 (1.77)	400 (15.75)
PLM	5000	5000 kg/11000 lb	85 (3.35)	4000 (157.48)	2000 kg/4400 lb	55 (2.17)	450 (17.7)

Unit: mm(in)