

# SAFER-T

## SAFER THIN SYSTEM

With a lower flux depth than our general purpose lifter  
 For safe handling of thin plates.  
 Safely De-stack thin plates one at a time.  
 Now with SAFER-T, you can handle thin plate easily  
 and safely.

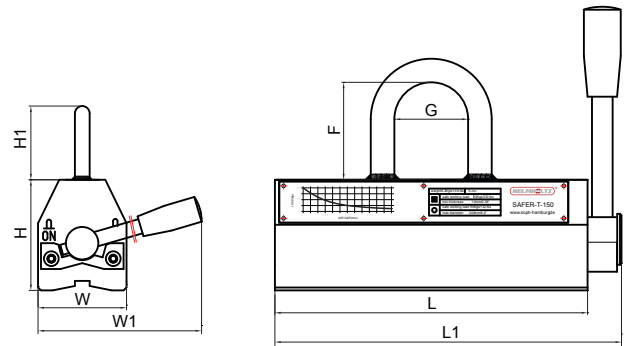
### Features

- Special design allows controlled depth of flux
- High power with shallow flux depth, Specifically designed for de-stacking thin plates
- Still good on the thick plates
- "SAFER" test lift function



### Applications

Plate down to 10mm(0.39"), bar, pipe, slab, block,  
 mold, dies, castings and crop end material handling



### Specifications

mm(inch)

Model	Size	Width(W)	Length(L)	Height(H)	H1	W1	L1	G	F	Net Weight
SAFER-T	150	60 (2.36)	205 (8.07)	75 (2.95)	50 (1.97)	162 (6.38)	223 (8.78)	30 (1.18)	40 (1.57)	6.2 kg / 24 lb
SAFER-T	250	100 (3.94)	230 (9.06)	108 (4.25)	81 (3.19)	230 (9.06)	258 (10.16)	50 (1.97)	65 (2.56)	13 kg / 62 lb

Model	Size	Flat load Max	Min Thickness	Max Length	Load Round Max	Round Min Diameter	Round Max Diameter
SAFER-T	150	150 kg/330 lb	10 (0.39)	1200 (47.24)	60 kg/132 lb	60 (2.36)	180 (7.09)
SAFER-T	250	250 kg/550 lb	12 (0.47)	1500 (59.06)	100 kg/220 lb	60 (2.36)	180 (7.09)

Unit: mm(in)